

VARTA Microbattery

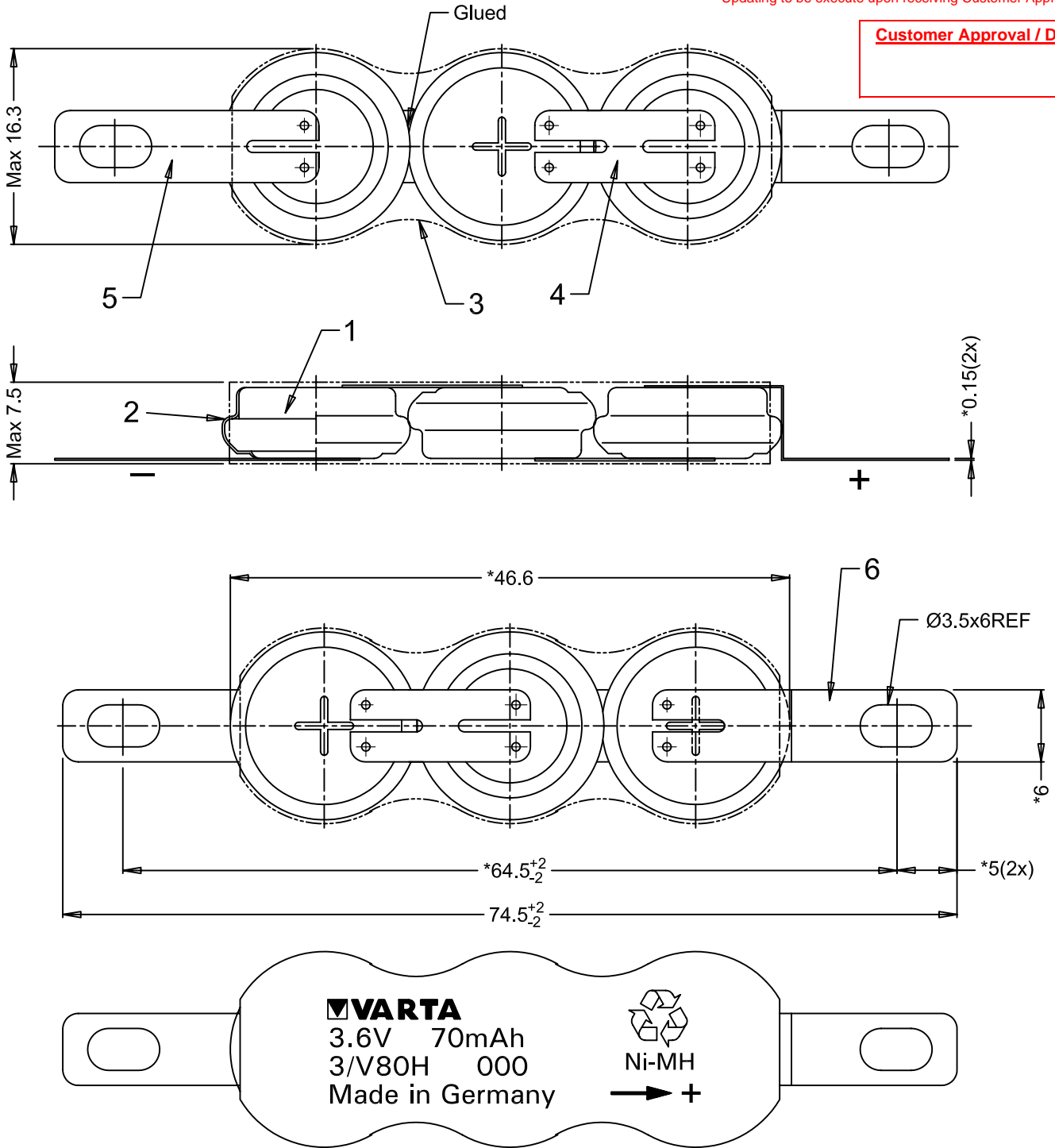
mobility for you

Not Released Copy

SAP data still maintain with old revision.

Updating to be execute upon receiving Customer Approval.

Customer Approval / Date :



Note: 1) * Dimensions for reference only

2) Battery with non-Standard terminal tags.

3) Battery with orange sleeve & black printed

Approx. wt : 13 g

No	AO No	Revisions	Date	Name
1	C078/04	Sleeve orange was green colour	2004-11-02	Ratna
0	076/04	Refer to p/n: P03-00017 rev.002	2004-07-06	Ratna

Customer: Tokyo Tron		Material: Refer to part list no: 074625		Description: 3/V80H L S STO with shrink sleeve & solder tag	
Projection:		Prepared & Checked	2004-04-30	Verified & Approved	Ratna
Dimensions in mm	Tolerance: As specified	Scale: 2 : 1	Dwg. No: 074625	VKB Order No: 55608 403 128	4 0 1

Rights reserved to make technical changes, as a result of further development, without notice. This drawing is the property of VARTA Microbattery and must not be copied or disclosed to a third party without the written consent of VARTA Microbattery.

