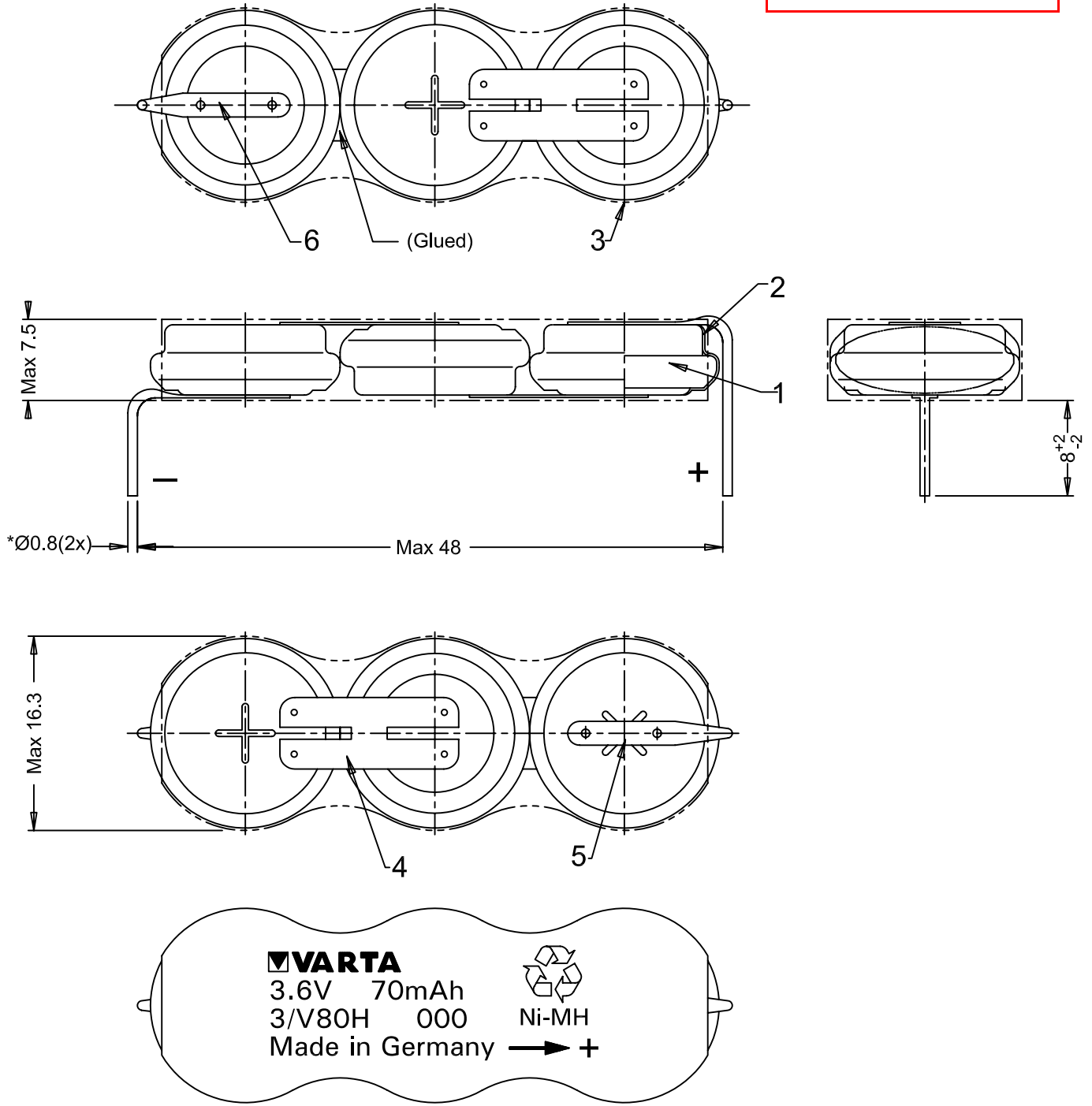


VARTA Microbattery

Not Released Copy mobility for you

Customer Approval returned is mandatory for SAP data to be maintained and order confirmation.

Customer Approval / Date :



Note: 1) *Dimensions for reference only

2) Battery with orange sleeve and black printing.

Approx. wt: 13 g

0	136/04	Refer to Drawing # P03-00096, revision 000	2004-11-18	TitisWS
No	AO No	Revisions	Date	Name

Projection:		Material: Refer to part list no: 074762		Description: 3/V80H L S TP with shrink sleeve & terminal pins	
Dimensions in mm		Prepared & Checked 2004-11-02 Darwin		Verified & Approved	
Tolerance: As specified		Scale: 2 : 1		Dwg. No: 074762	
				VKB Order No: 55608 403 134	

Rights reserved to make technical changes, as a result of further development, without notice. This drawing is the property of VARTA Microbattery and must not be copied or disclosed to a third party without the written consent of VARTA Microbattery.

