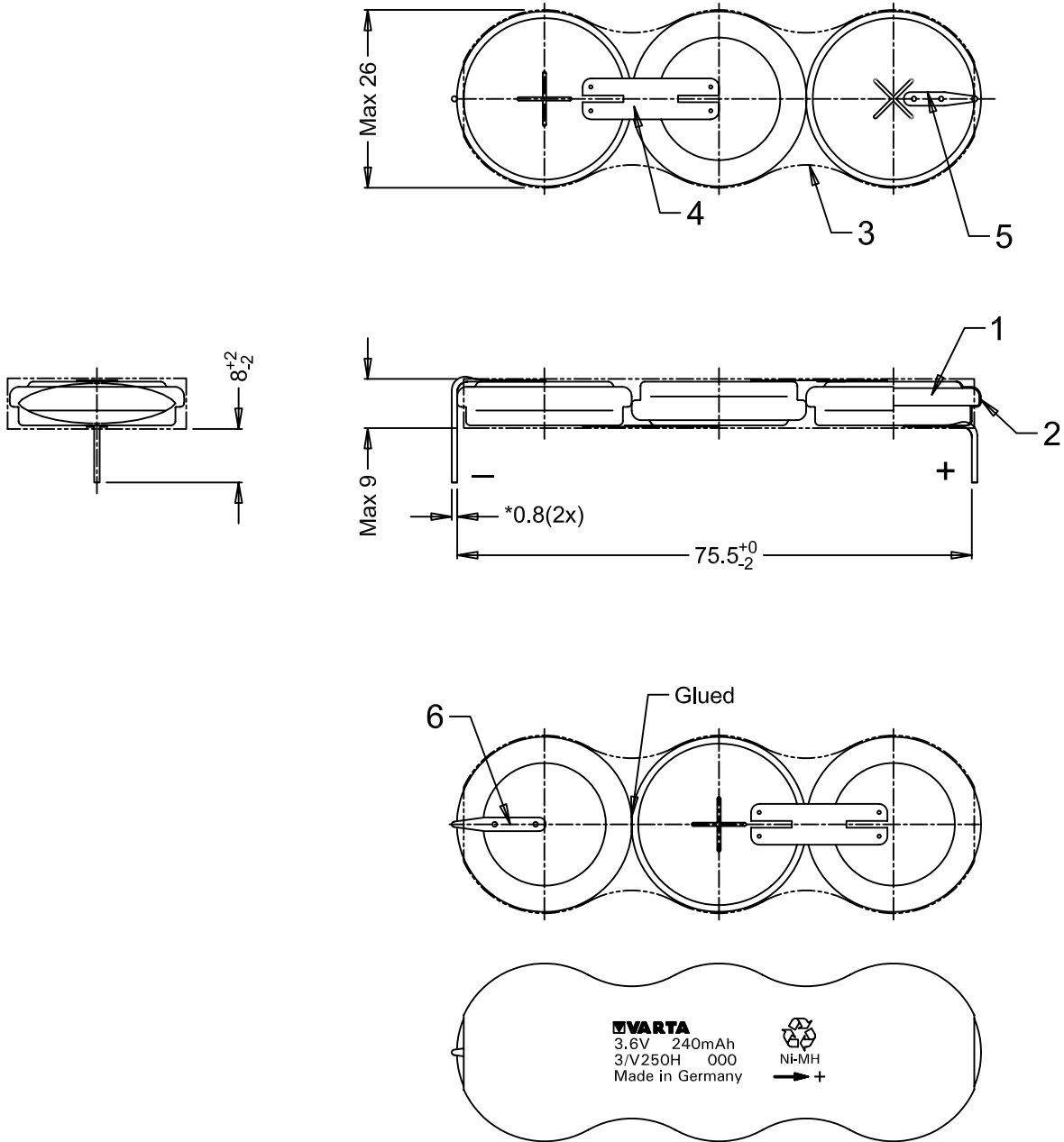


VARTA Microbattery

Not Released Copy mobility for you

Customer Approval returned is mandatory for SAP data to be maintained and order confirmation.

Customer Approval / Date :



Note: 1) *Dimensions for reference only
 2) Battery with orange sleeve and black printing.

Approx. wt : 31 g

0	142/04	Refer to drawing # P03-000102, rev. 000	2004-11-19	TitisWS
No	AO No	Revisions	1	Date Name

Projection:	Material: Refer to part list no: 074768	Description: <p style="text-align: center;">3/V250H L S TP with shrink sleeve & terminal pins</p>
Dimensions in mm Tolerance: As specified Scale: 1 : 1	Prepared & Checked: 2004-11-02 Darwin Verified & Approved:	Dwg. No: 074768 VKB Order No: 55625 403 020

Rights reserved to make technical changes, as a result of further development, without notice. This drawing is the property of VARTA Microbattery and must not be copied or disclosed to a third party without the written consent of VARTA Microbattery.

