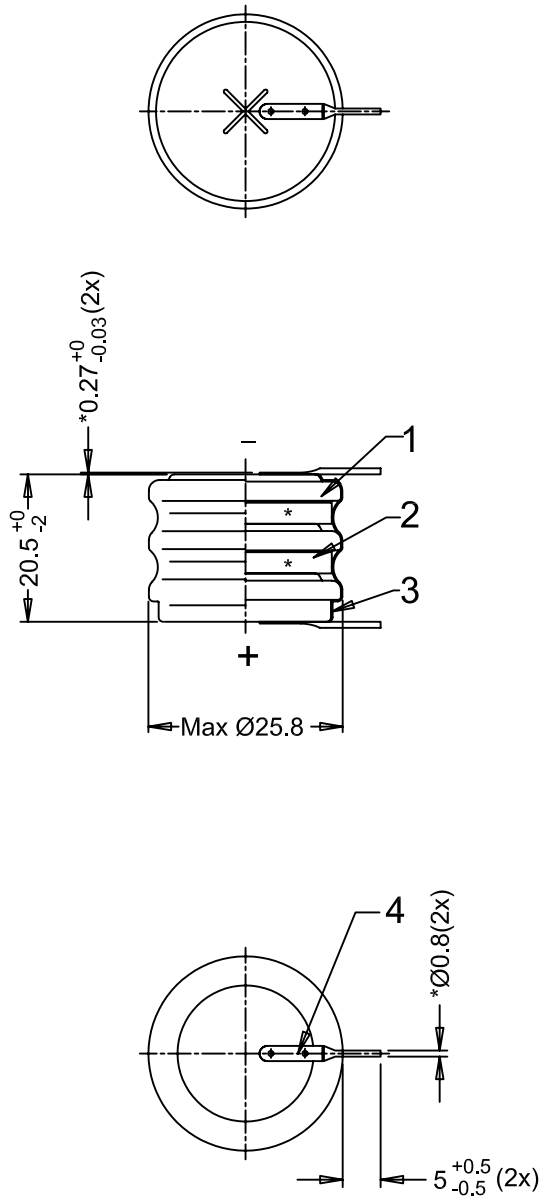
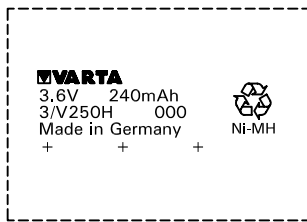


VARTA Microbattery

mobility for you



- Note: 1) *Dimensions for reference only
 2) Special care to be taken ie: NOT to mix the polarities
 3) Battery with orange sleeve and black printing.

Approx. wt : 31 g

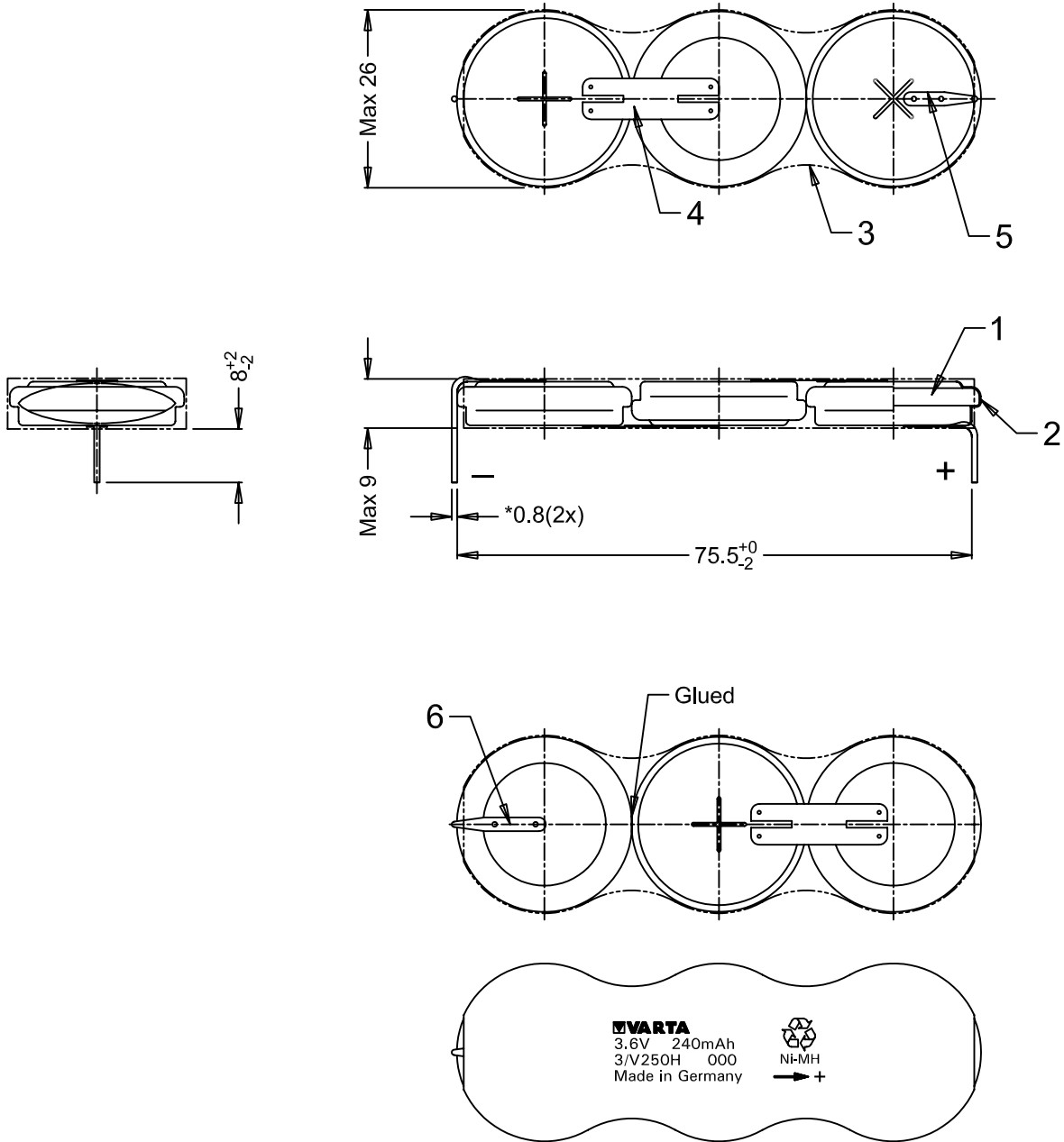
0	143/04	Refer to drawing # P03-00103, revision 000	2004-11-19	TitisWS
No	AO No	Revisions	Date	Name
Customer : Japan		Material:	Description:	
Projection:		Refer to part list no: 074769	3/V250H SK S TP with shrink sleeve & terminal pins	
Dimensions in mm		Prepared & Checked	Verified & Approved	Dwg. No: 074769
Tolerance: As specified		2004-11-02	Darwin	4 0 0
Scale: 1 : 1		VKB Order No: 55625 303 025		

Rights reserved to make technical changes, as a result of further development, without notice. This drawing is the property of VARTA Microbattery and must not be copied or disclosed to a third party without the written consent of VARTA Microbattery.



VARTA Microbattery

mobility for you



Note: 1) *Dimensions for reference only

2) Battery with orange sleeve and black printing.

Approx. wt : 31 g

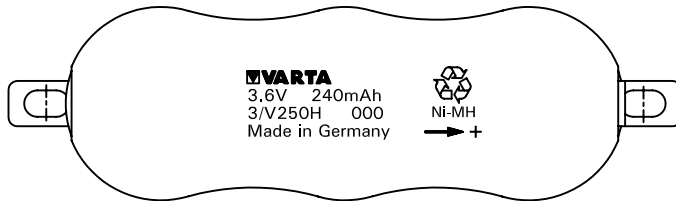
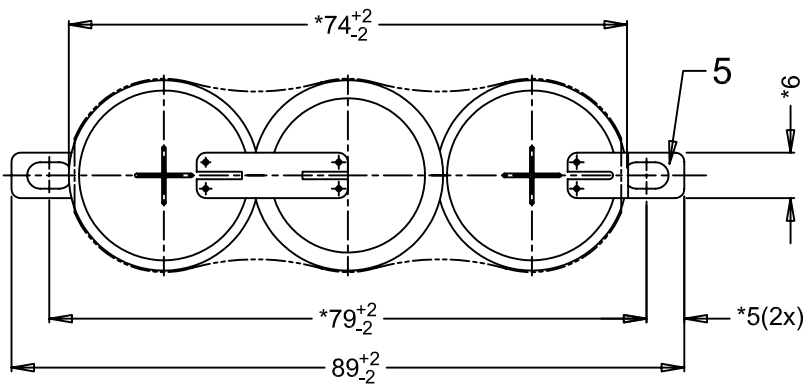
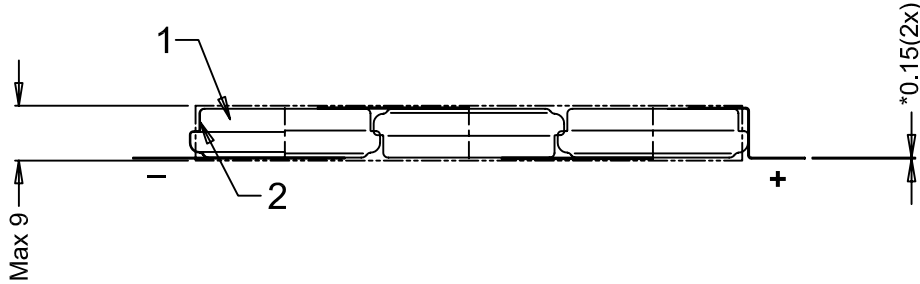
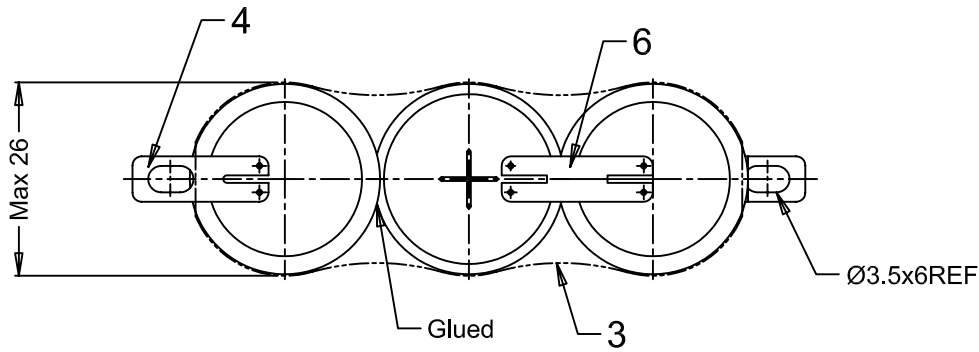
0	142/04	Refer to drawing # P03-000102, rev. 000	2004-11-19	TitusWS
No	AO No	Revisions	1	Date Name
Projection:		Material: Refer to part list no: 074768	Description: 3/V250H L S TP with shrink sleeve & terminal pins	
Dimensions in mm	Prepared & Checked	Verified & Approved	Dwg. No: 074768	4 0 0
Tolerance: As specified	2004-11-02	Darwin	VKB Order No: 55625 403 020	
Scale: 1 : 1				

Rights reserved to make technical changes, as a result of further development, without notice. This drawing is the property of VARTA Microbattery and must not be copied or disclosed to a third party without the written consent of VARTA Microbattery.



VARTA Microbattery

mobility for you



- Note: 1) * Dimensions for reference only
 2) Battery with non-Standard terminal tags.
 3) Battery with orange sleeve & black printed

Approx. wt : 31 g

No	AO No	Revisions	Date	Name
1	C091/04	Change to orange shrink sleeve with recycle logo was green shrink sleeve & change tag	2004-11-02	Ratna
0	075/04	Refer to P03-00068 rev.000	2004-07-06	Ratna

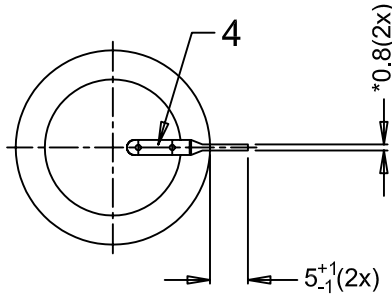
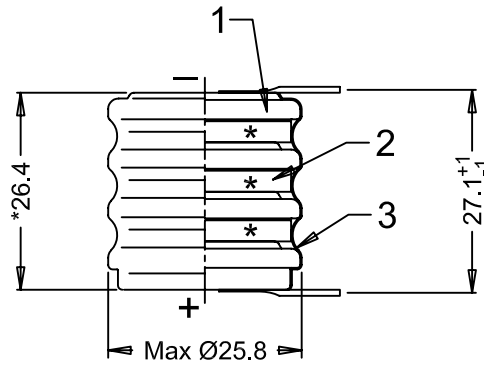
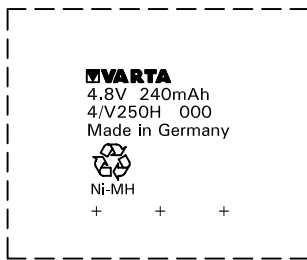
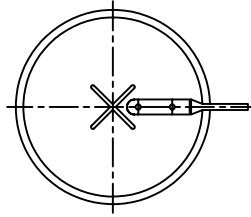
Customer: Tokyo Tron		Material: Refer to part list no: 074624		Description: 3/V250H L S STO with shrink sleeve & tags		
Projection:				Dwg. No:	074624	4 0 1
Dimensions in mm	Prepared & Checked	Verified & Approved				
Tolerance: As specified	2004-06-22	Ratna				
Scale: 1 : 1			VKB Order No:	55625 403 018		

Rights reserved to make technical changes, as a result of further development, without notice. This drawing is the property of VARTA Microbattery and must not be copied or disclosed to a third party without the written consent of VARTA Microbattery.



VARTA Microbattery

mobility for you



Note: 1) * Dimension for reference only

2) Battery with orange sleeve & black printed

Approx. wt : 41 g

No	AO No	Revisions	Date	Name
1	C085/04	Change to orange shrink sleeve with recycle logo was green shrink sleeve	2004 - 11- 02	Lutfi
0	029/04	Refer to provisional drawing #P03-00026 Rev. 000	2004 - 03 - 05	Ratna

Projection:	Material: Refer to part list no: 074553		Description: 4/V250H SK S STP with shrink sleeve & terminal pins		
	Dimensions in mm	Prepared & Checked 2004-03-05 Ratna	Verified & Approved	Dwg. No: 074553	4 0 1
Tolerance: As specified			VKB Order No: 55625 304 015		
Scale: 1 : 1					

Rights reserved to make technical changes, as a result of further development, without notice. This drawing is the property of VARTA Microbattery and must not be copied or disclosed to a third party without the written consent of VARTA Microbattery.

